

## WARNING!

### Read before using

- Read the user manual thoroughly before using.
- Adult supervision required when assembling the product.
- Adult supervision required when children are using the product.
- Take care not to pinch your fingers and hands during assembly.
- Maximum weight of users of this product should not exceed 90 pounds.
- Only one person at a time can use the product.
- Do not allow children to fold the product after use.
- Only adults should fold and put out of reach of children after use.
- Children should not use it without adult supervision.
- Always check the screws before each use.
- Tighten loose screws immediately.
- Do not use if any parts are that are damaged or loose.
- Do not add, use or replace any parts that are not original.
- Do not use the apparatus for anything other than what it is designed for.
- Use of this equipment is at your own risk.
- Be sure to store it away after use to keep out of reach of children.

### Questions? Issues?

We are here to help!

Phone: (1) 718-535-1800

Email: [support@pyleusa.com](mailto:support@pyleusa.com)

## Expandable Safly Fun Gymnastics Bar **serenelife** Adjustable Height Training Monkey Bar for Kids

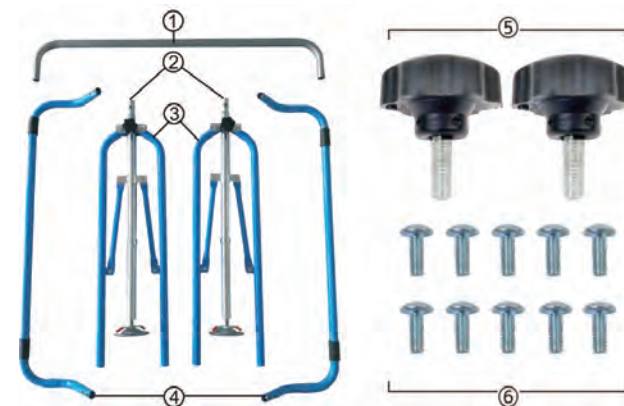
### USER GUIDE

### Safety Warning

Please read this manual carefully prior to using your new product.  
Keep this manual in a safe place for easy future reference.

### Parts Summary

- ① Horizontal Bar
- ② Height Adjuster Pole x 2
- ③ Main Support Pole x 2
- ④ Bottom Stabilizer Bar x 2
- ⑤ Height Adjuster Knob x 2
- ⑥ Screws x 10



The ③ Main Support Poles are shipped with the ② Height Adjuster Poles pre-inserted. The ⑤ Height Adjuster Knobs are screwed into the ③ Main Support Poles.

### Assembled Product Image

#### Attention!

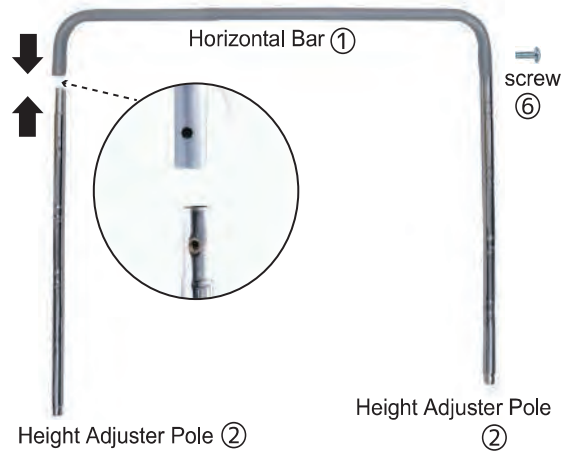
- **DO NOT** completely tighten the screws while assembling the product.
- After you confirm that all parts are correctly in place, tighten all the screws.
- Prior to using each time, check all the screws to ensure that they are all tightened.
- Screws may become loose with prolonged usage. Intermittantly check the screws to ensure that they are secure.

After use, the product folds up for compact storage (right image).

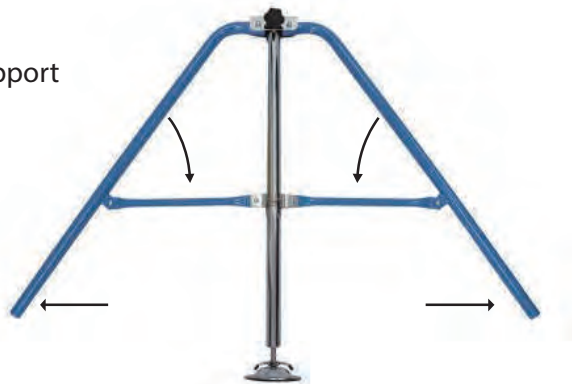


## Assembly

1. Insert the Height Adjuster Poles to the Main Top Bar. Loosen the knob ⑤. Align the screw holes and hand tighten the screws on both sides.



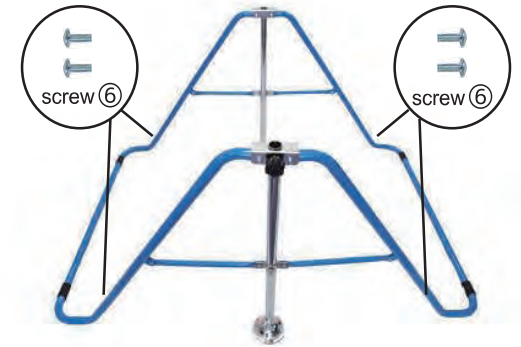
2. Next, fold out the Main Support Poles ③ like the diagram.



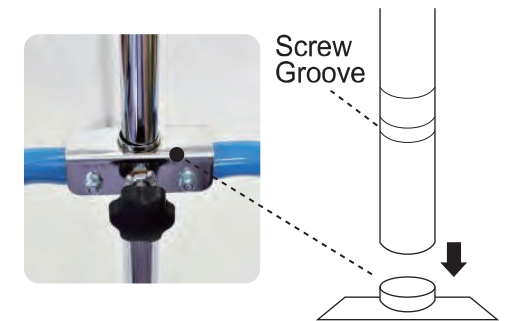
3. Layout and align the Main Support Poles ③ and Bottom Stabilizer Bars ④ like the diagram.



4. Use the screws ⑥ to secure the Main Support Poles ③ to the Bottom Stabilizer Bars like the diagram.



5. Insert the assembled Horizontal Bar ① and Height Adjuster Pole ② unit into the top of the Main Support Poles ③. Next, tighten the Height Adjuster Knob ⑤ into a screw groove at the desired height. (see diagram)



6. Finally, adjust the bottom of both Main Support Poles ③ to the point of where it is just barely above the surface.

### Support Pole



Make sure that the bottom of the adjuster is not touching the floor surface. It should not be higher than the Bottom Stabilizer Bars.

If adjusted tightly to the floor it may seem unstable and rocky. The support pole is like a fulcrum but when in use, the weight should be on the outer Bottom Stabilizer Bars ④ so as not to rock.

I Adjust to leave a gap of about 1/16 inch above the surface