

serenelife™

Questions? Issues?
We are here to help!
Phone: (1) 718-535-1800
Email: support@pyleusa.com

serenelife™



SLOHT42
Floor Standing Patio Heater

Remote Control Stand Patio Heater
with Three Power Settings and Oscillation

User Manual

PLEASE MAKE SURE THAT YOU HAVE READ THE MANUAL CAREFULLY BEFORE USING IT.

IMPORTANT INSTRUCTIONS

When using electrical appliances, basic precautions should always be followed to reduce the risk of fire, electric shock, and injury to persons, including the following:

1. **Read all instructions before using this heater.**
2. The unit must be placed with the clearance of 100cm to the wall and 30cm to the ceiling.
3. **This heater is hot when in use.** To avoid burns, do not let bare skin touch hot surfaces. If provided, use handles when moving this heater. High temperature, keep combustible material such as furniture, papers, clothes, curtains at least 3 feet (0.9m) from the front of the heater and away from the side and rear.
4. The unit must be securely placed on a horizontal and flat surface.
5. The unit is at high temperature during operation. It keeps hot for a period after shut down. Potential danger would occur when touching it during this period.
6. Don't place the unit close to curtain and/or other flammable objects. Otherwise there will be a danger of catching fire.
7. Don't cover the unit with anything during operation or a short time after it's shut down.
8. Don't wrap the power supply cord on the unit.
9. The unit must be handled with care, and avoid of vibration or hitting.
10. The unit must be securely grounded during operation.
11. When damaged, the unit must be repaired by professional repairing team.
12. Do not operate any heater with a damaged cord or plug or after the heater malfunctions, has been dropped or damaged in any manner. If the supply cord is damaged. Discard heater or it must be replaced by the manufacturer, its service agent or similarly qualified persons in order to avoid a hazard.
13. The heater must not be located immediately below a socket-outlet.

14. When assembling, keep clear from any board or flammable material.
15. Do not use this heater with a programmer, timer or any other device that switches the heater on automatically, since a fire risk exists if the heater is covered or positioned incorrectly.
16. This appliance is not intended for use by persons (including children) with reduced physical, sensory or mental capabilities, or lack of experience and knowledge, unless they have been given supervision or instruction concerning use of the appliance by a person responsible for their safety.
17. Children should be supervised to ensure that they do not play with the appliance.
18. The unit is for household use only. It's not allowed to use in building site, greenhouses, barn or stable where there's flammable dust.
19. The head of the unit is at high temperature during operation. Unplug the unit and wait till it's cool before cleaning.
20. This heater is not intended for use in bathrooms, laundry areas and similar indoor locations. Never locate heater where it may fall into a bathtub or other water container.
21. Don't use this unit in place where causticity or volatile air exists, i.e. dust, steam, gas, etc.
22. Don't use this unit as a cloth drier or towel drier.
23. Don't use this unit as a sauna heater.
24. Don't use this unit as a room heater of heat storing.
25. Don't use this unit in place of animal propagating and raising.
26. Don't use this unit in heating system of hot air centre.
27. Don't immerse this unit into water for cleaning.
28. The unit should be plugged in a socket, which is easily visible and reachable.
29. To avoid potential fire hazards, do not run cord under carpeting. Do not cover cord with throw rugs, runners, or similar coverings. Do not route cord under furniture or appliances. Place the electrical cord away from busy areas to avoid accidental tripping and contact.

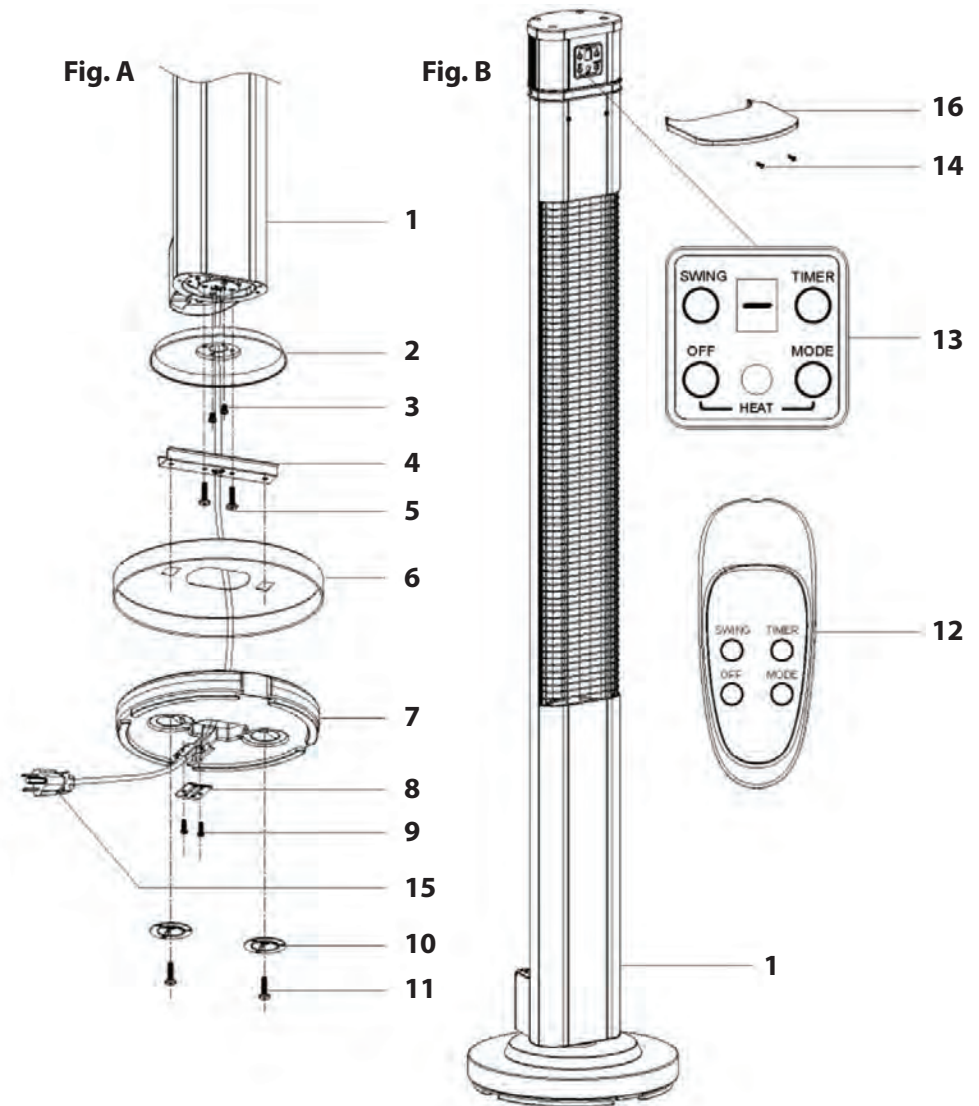
30. To disconnect heater, turn controls to off, then remove plug from outlet.
31. Use this heater only as described in this manual. Any other use not recommended by the manufacturer may cause fire, electric shock, or injury to persons.
32. Always plug heaters directly into a wall outlet/receptacle.
Never use with an extension cord or relocatable power tap (outlet/power strip).
33. Surface temperatures become very hot when operating heater.
Children and adults should stay away to avoid burns or clothing ignition.
34. Young children or invalids should be carefully supervised when they are in the area of the heater whenever the heater is left operating and unattended.
35. Always unplug heater when not in use.
36. Connect to properly grounded outlets only.
37. Do not insert or allow foreign objects to enter any ventilation or exhaust opening as this may cause an electric shock or fire, or damage the heater.
38. To prevent a possible fire, do not block air intakes or exhaust in any manner.
Do not use on soft surfaces, like a bed, where openings may become blocked.
39. A heater has hot and arcing or sparking parts inside.
Do not use it in areas where gasoline, paint, or flammable liquids are used or stored.

SAVE THESE INSTRUCTIONS

PREPARATION

1. Unpack the carton. Take out the accessories pack from the carton of the heater body. Make sure the accessories listed in the above Accessories Check List are included. If anything missing, ask the retailer immediately to provide it to you.
2. Prepare a cross head screw driver.
3. Read this instruction manual carefully before installation and use.
Keep this instruction manual in a proper and safe place for future use in case needed.

PARTS DESCRIPTIONS:



PARTS DESCRIPTIONS:

Parts Descriptions:			
No.	Part Name	No.	Part Name
1	Main Body	9	Screw M4*28
2	Connection Board	10	Washer
3	Screw M6*8	11	Screw M6*35
4	Clamping Board	12	Remote Controller
5	Screw M6*27	13	Control Panel
6	Base Cover	14	Screw M4*20
7	Base	15	Plug
8	Camping Board	16	Cover

ACCESSORIES PACK CHECK LIST:

Accessories Pack Check List:			
Accessory Name	Qty	Accessory Name	Qty
Allen Key	1	Washer	2
Screw M6*8	2	Remote Controller	1
Screw M6*27	2	Screw M4*28	2
Camping Board	1	Screw M6*35	2
Cover	1	Screw M4*20	2

INSTALLATION

1. Take out the Main Body (#1), Base (#7), Base Cover (#6), accessories bag from the cartons.
2. Put the main body up-side-down (Fig. A). Fixed the Connection Board (#2) with Screw (#3) on the main body (#1). Then Fix the Clamping Board (#4) with Screw (#5) on the Connection Board (#2). Put the plug and power supply cord through the holes on the center of Base Cover (#6) and Base (#7). Then slide Base Cover (#6), Base (#7) and Washer (#10) with Screw (#11) onto main body respectively.
3. Put the power cord into the sink of the base. Then fix it with Camping Board (#5) and Screw M4*35.
4. Fix the cover (#16) with the Screw M4*20 (#14).

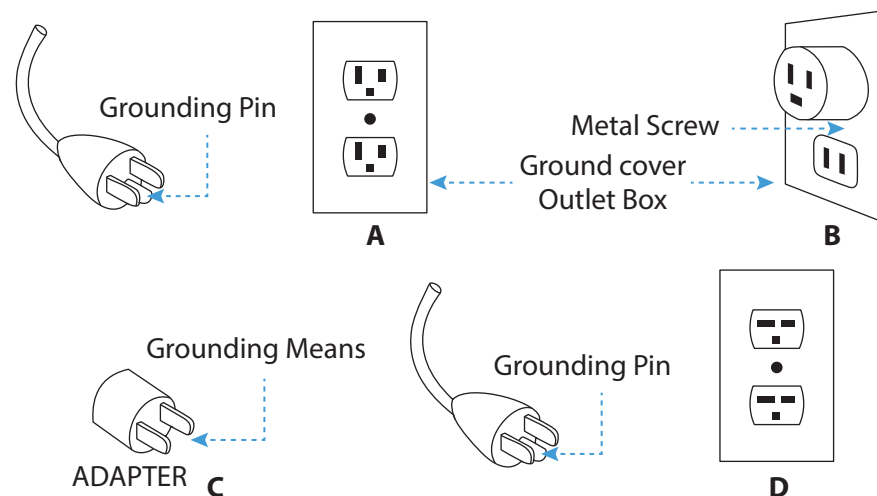
OPERATIONS:

1. Plug in the unit to a socket. Make sure the power supply is same as rated.
2. LED indicator light starts flashing showing the heater is on standby. Press Mode button on control panel to switch on the heater. The heater will start on the low setting, each press of the Mode button will cycle the heater onto the medium setting, high setting and then back to the low setting.
3. Press Swing Button on the control panel or remote controller to operate the Oscillation.
4. Press TIMER button on control panel or remote control to choose the timer between 0-9 hours. "0" means the timer is off. Each press of the Timer button will cycle the timer from "0"- "9".
5. When the heater is no longer required, switch off, using the off button on the remote control or the control panel and unplug the unit.

GROUNDING INSTRUCTIONS:

This heater is for use on 120 volts. The cord has a plug as shown at A in Figure below. An adapter as shown at C is available for connecting three-blade grounding-type plugs to two-slot receptacles. The green grounding lug extending from the adapter must be connected to a permanent ground such as a properly grounded outlet box. The adapter should not be used if a three-slot grounded receptacle is available.

Grounding Methods



CLEANING:

- Unplug the unit before cleaning. It should be wiped with wet cloth.
- Don't use too much water.
- Do not route cord when heater storage, or heater is not in use.
- Any other servicing should be performed by an authorized service representative.

FEATURES:

- High Rated Aluminum Reflector
- Offers Sun-like Infrared Heating
- Includes Mesh Grille Front
- Odorless, No Gas or Propane Use
- Remote Control Standing Heater
- Dust and Waterproof Design
- Multi-function Disco Light with Remote Control
- Anodized Extruded Aluminum Alloy Housing
- High-Efficiency Carbon Fibre Heating Elements
- Three Power Settings: Low, Medium, and High
- Tip-over Safety Switch
- IP44 Approved
- Overheat Protection and Quiet Op

WHAT'S IN THE BOX:

- 1500 Watt Electric Patio Heater
- Allen Wrench
- (2) M6 x 8-mm Screws
- (2) M6 x 27-mm Screws
- (2) Screw M4 x 28 Screws
- (2) Screw M6 x 35 Screws
- (2) Screw M4 x 20 Screws
- (1) Camping Board
- (1) Cover
- (2) Washer
- (1) Remote Controller

Technical Specs:

- Construction Material: Aluminum Alloy Frame, Stainless Steel Base Cover
- Power Supply: 1500W
- 3 Heat Levels: Low (500 Watts), Medium (1000 Watts), High (1500 Watts)
- Heating Area: 25 sq. ft.
- Maximum Amperage: 12.5 Amps
- Timer: 9 Hours
- Battery Life: Up to 2+ Hours
- Battery Operated Remote: 1.5V, (2) x 'AAA' Batteries (not included)
- Power Cable Length: 2 Meters, 120V
- Base Cover Size: 11" -inches (Diameter)
- Heat Warm Range: Around 10-15 Square Meters
- Product Dimensions (L x W x H): 11" x 11" x 57" -inches

