

SLSRVCRT400

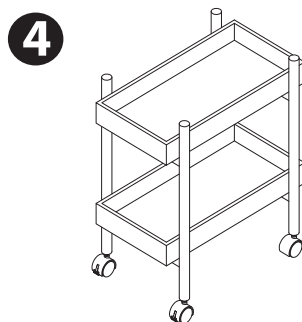
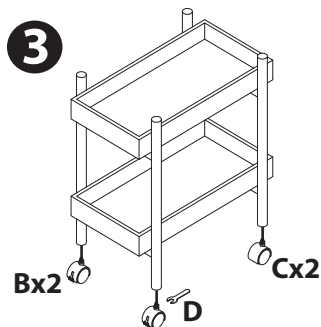
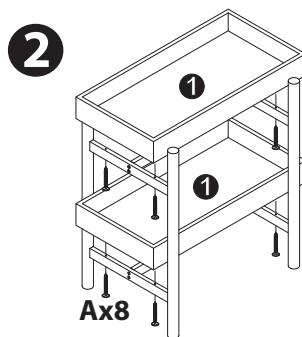
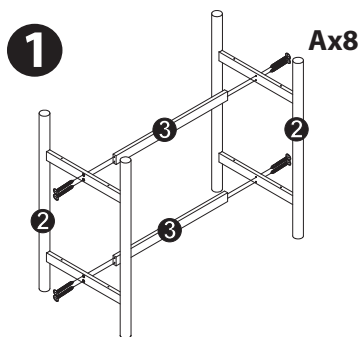
2-Tier Serving Cart


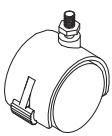
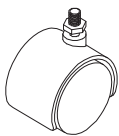

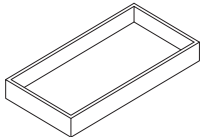
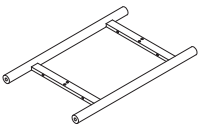
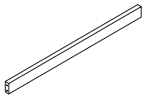
SereneLife

Serving Cart with Removable Trays and 4 Wheels

User Manual

Assembly Instruction



			
AX16PCS	BX2PCS	CX2PCS	DX1PC
			
1 X2PCS	2 X2PCS	3 X2PCS	

Features:

- Two Spacious Storage Shelves
- Item Does Not Contain Fabric
- Finished on All Sides for Versatile Placement
- Easy-Roll Casters
- Durable Wood Frame
- Functional and Sturdy Design
- Environment-Friendly and Easy to Wipe Off
- Renewable, Stable, and Non-Toxic
- Some Assembly Required



What's in the Box:

- (16) Screws
- (4) Wheels
- (1) Screw Driver
- (2) Shelves
- (2) Frame
- (2) Rail



Technical Specs:

- Construction Material: Bamboo +MDF (Bamboo Frame with MDF Shelves)
- Wheel Material: Engineered ABS
- Max. Load Capacity:15 lbs. for each Shelf
- Product Dimension (L x W x H): 22.05" x 13.80" x 24.80" -inches



WARNING:

This product can expose you to a chemical or group of chemicals, which may include **"FORMALDEHYDE"** which is known in the state of California to cause cancer, birth defects, or other reproductive harm. For more info, go to <https://www.p65warnings.ca.gov/>.

Questions? Issues?

We are here to help!

Phone: (1) 718-535-1800

Email: support@plyleusa.com