

DOWNLOAD THE SQUATZ
APP FOR YOUR PERSONAL &
VIRTUAL FITNESS TRAINING



SQUATZ

SQTCK-1 CLARUS

11\"/>

with 61\"/>

USER GUIDE

Features:

- Ring light R11 with Wired Control
- Three Colors: Warm, Cold, Natural
- 10-Level Brightness
- Light Stand with 5 Sections
- LED Ring Light
- Durable and Adjustable Tripod Stand
- Compatible with Phones, Cameras & Webcams
- Upgraded Phone Clamp
- Holds Smartphone with Widths of 2.3\"/>
- USB Plug and Wire Control
- Perfect for Video Recording, Zoom Meeting, YouTube, Tiktok, and more



What's in the Box:

- 11\"/>
- Mobile Holder
- 61.02\"/>
- USB Cable

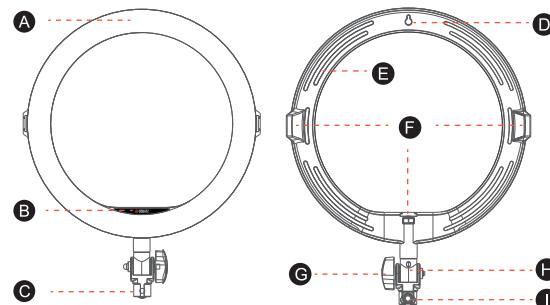
Technical Specs:

- Construction Materials: ABS +Aluminum + Iron
- Light Type: LED SMD
- Color Temperature: 3200-6500dk
- Voltage: DC5V
- Power Supply: 12W
- LED Bulbs: 120pcs.
- Dimmer Way: Stepless Adjusted
- Color Rendering Index: ≥80RA
- Diameter: 11\"/>
- USB Cable Length: 78.74\"/>
- Outer Diameter: 0.98\"/>
- Light Stand Extended Height: 63\"/>
- Light Stand w/ Ring Light Extended Height: 74.02\"/>

Questions? Comments?

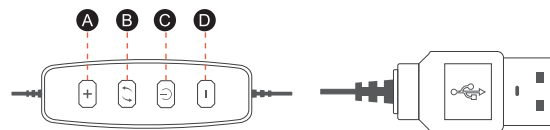
We are here to help!
Phone: (1) 718-535-1800
Email: support@pyleusa.com

STRUCTURE



- A. Diffuser
- B. LOGO
- C. Tripod interface
- D. Hanging Hook
- E. Ventilation Hole
- F. Hot shoe adapter
- G. Pitching lock knob
- H. 1/4\"/>
- I. Horizontal locking knob

INSTALLATION



Controller

- A. Power **ON** ring light, short press the "+", to increase 10% brightness until you reach 100% brightness, press and hold to increase automatically.
- B. While powered ON, short press the "exchange" button, to switch between warm light, natural light and daylight in turn.
- C. Connect the USB port to the power supply, power button lights on. Short press the power button, power light turns off, the ring light works; press the power button again, the ring light stops working.
- D. While powered ON, short press the "-", decrease 10% brightness until you reach 10% brightness, press and hold to decrease automatically.

USB port

This USB standard voltage is DC 5V.

Attention: Please make sure the voltage connected is correct and stable, if higher or lower than DC 5V, the ring light may work abnormally, stop working it may damage the ring light.

NOTICE

1. Any unauthorized modification or adjustments made to this product is prohibited.
2. The device is not to be considered as a lighting equipment. DO NOT continuously operate over six hours.
3. Wet handling is not allowed.
4. Keep the device away from children under 12 years of age. Do not stare at the strong light for a long time.
5. Exposure to rain is prohibited.
6. Turning on/off the device frequently is not appropriate.
7. Before cleaning the device, please turn it off and use a dry or slightly dry for cleaning. Any kind of chemicals or corrosives must not be used.